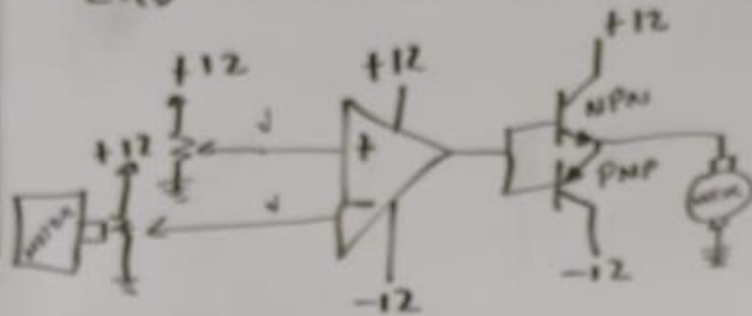
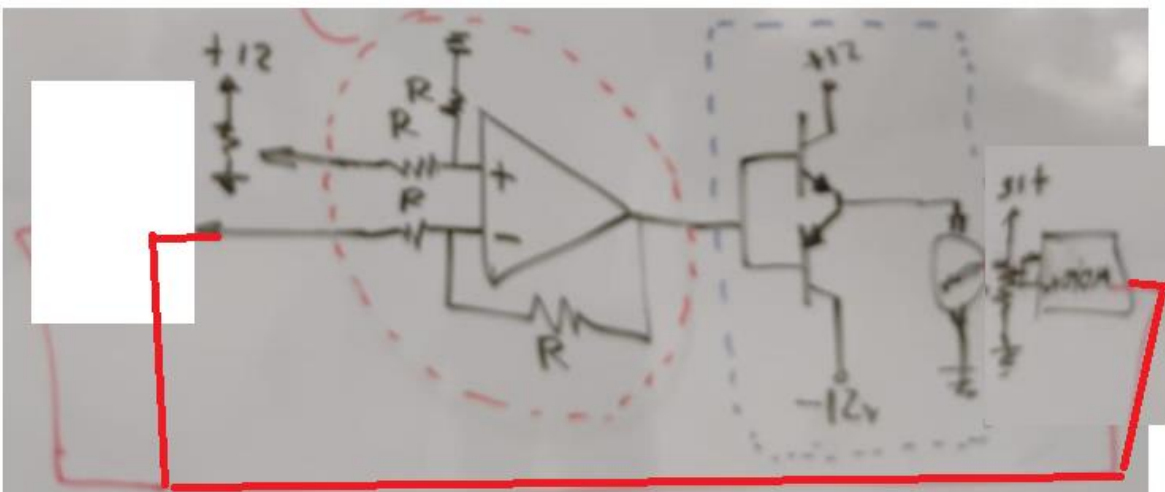
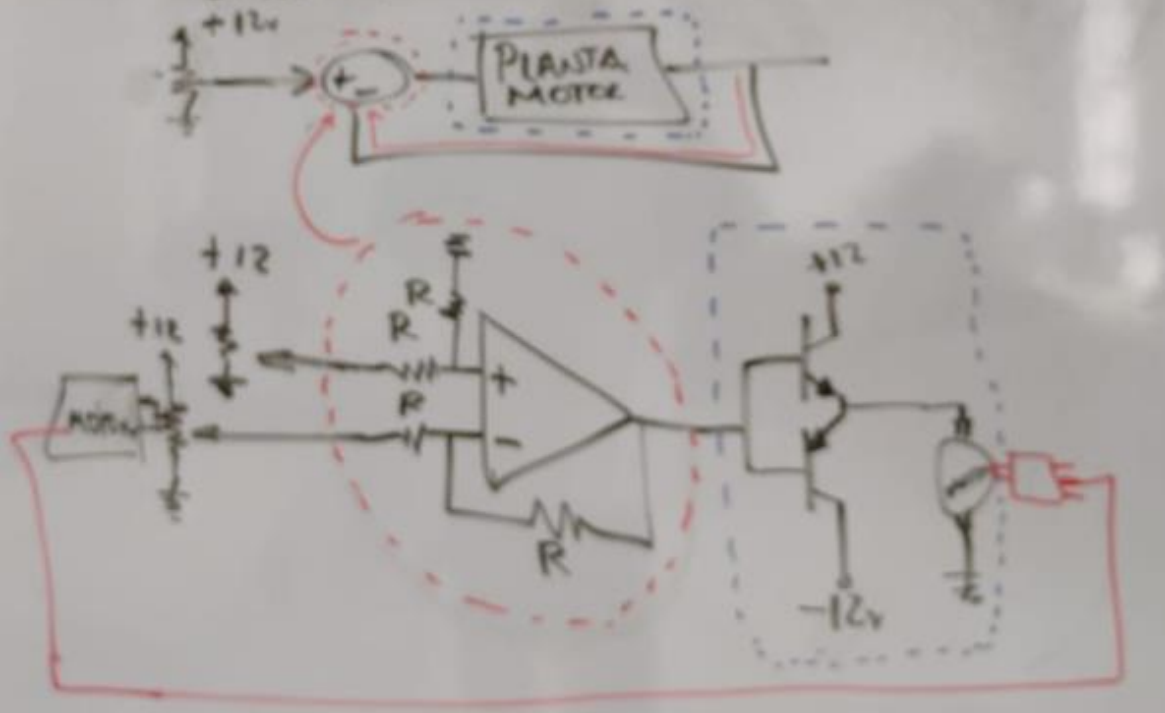


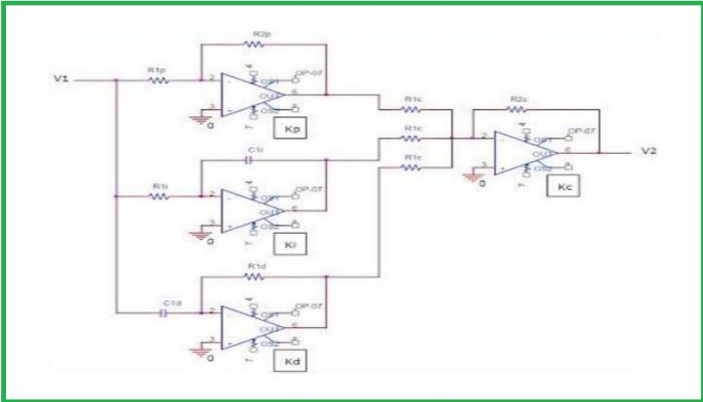
LAB 1. CONTROL CON COMPARADOR.



LAB 2. CONTROL CON REALIMENTACION



P.I.D



LAB 2. CONTROL CON REALIMENTACION

A hand-drawn block diagram showing a feedback control system. It includes a summing junction, a controller block, a plant block labeled 'PLANTA FACTOR', and a feedback path.

